



OFFICINE MARIO DORIN SINCE 1918

DORIN[®]
INNOVATION

CD-4

THE NEWEST 4 CYLINDER SOLUTION GLOBALLY
创新的跨临界二氧化碳四缸压缩机系列



CD-4 RANGE

CO₂ TRANSCRITICAL APPLICATIONS

The new **CD-4** range represent the 4th generation of **CO₂ transcritical compressors**, designed using the most modern calculation software such as **FEM** and **3D Modelling**. Particular attention has been paid to the heat exchange phenomena between the part of high and low pressure of the compressor leading to the adoption of an innovative design that optimizes the efficiency of the machine.

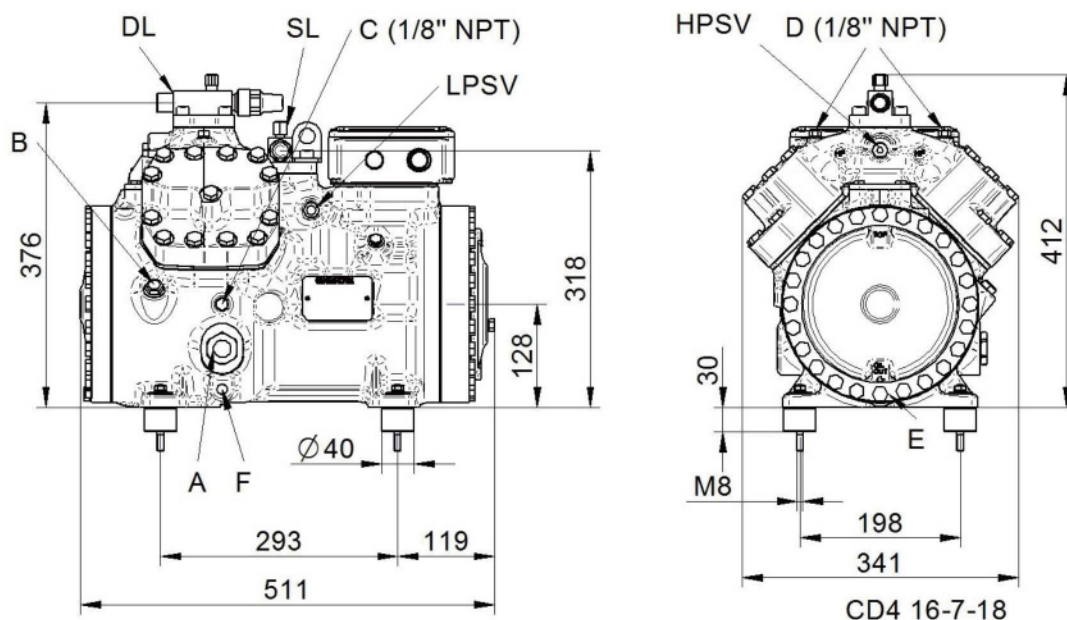
新的CD-4系列代表了第四代CO₂跨临界压缩机，采用最先进的计算软件设计（如FEM和3D建模）。优化了压缩机高压和低压部分之间的热交换设计，从而使压缩机的效率达到了一个新的境界。

Range 系列	Model 型号	Displacement 排气量	Cylinders 缸数	Oil charge 注油量	Suction 吸气阀直径	Discharge 排气阀直径	Net weight 净重
		50 Hz [m ³ /h]		[kg]	焊接接口 [mm]	螺纹接口 [mm]	
CD-4	CD4 55-4, 7M	4,67	4	1,7	22	18	107
	CD4 75-4, 7H	4,67	4	1,7	22	18	109
	CD4 75-6, 4M	6,40	4	1,7	22	18	109
	CD4 90-6, 4H	6,40	4	1,7	22	18	112
	CD4 75-7, 3M	7,28	4	1,7	22	18	108
	CD4 90-7, 3H	7,28	4	1,7	22	18	111
	CD4 90-9, 2M	9,21	4	1,7	22	18	110
	CD4 120-9, 2H	9,21	4	1,7	22	18	111

Range 系列	Model 型号	Max operating current 最大运行电流 V / ph / Hz [A]		Locked rotor current 堵转电流 V / ph / Hz [A]	
		220-240 / 3 / 50 265-290 / 3 / 60 Δ	380-420 / 3 / 50 440-480 / 3 / 60 Y	220-240 / 3 / 50 265-290 / 3 / 60 Δ	380-420 / 3 / 50 440-480 / 3 / 60 Y
		CD-4	CD4 55-4,7M	25,0	14,5
CD4 75-4,7H	34,0		19,5	149	86
CD4 75-6,4M	34,0		19,5	149	86
CD4 90-6,4H	40,0		23,0	159	92
CD4 75-7,3M	34,0		19,5	149	86
CD4 90-7,3H	40,0		23,0	159	92
CD4 90-9,2M	40,0		23,0	159	92
CD4 120-9,2H	41,5		24,0	189	109

Figure 1 外形尺寸

CD-4



OFFICINE MARIO DORIN S.p.A.

Via Aretina 388, 50061 Compiobbi - Florence, Italy
Tel. +39 055 62321 1 - Fax +39 055 62321 380

dorin@dorin.com
www.dorin.com

1LTZ060

CD-2 - 02.2018